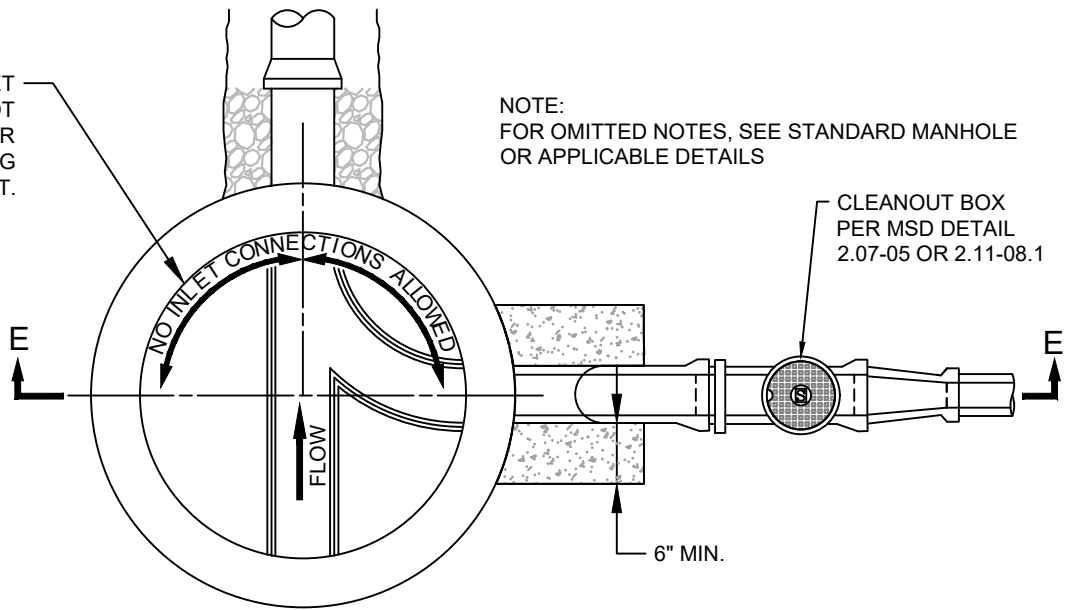


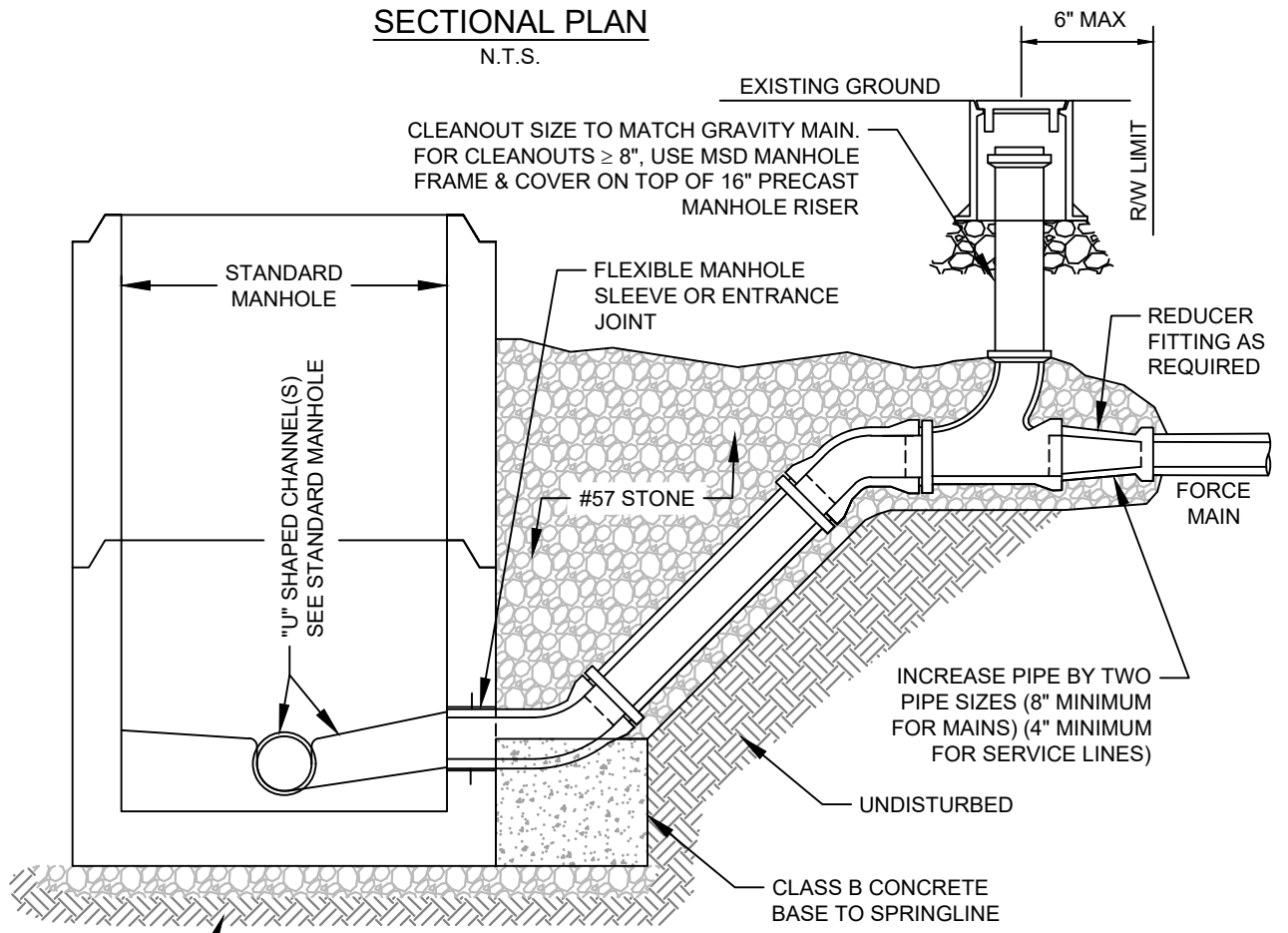
CENTERLINE OF INLET PIPING IS NOT ALLOWED IN EITHER QUADRANT ADJOINING THE MANHOLE OUTLET.

NOTE:
FOR OMITTED NOTES, SEE STANDARD MANHOLE OR APPLICABLE DETAILS



SECTIONAL PLAN

N.T.S.



UNDISTURBED

SECTION E-E

N.T.S.

NOTE:
SEE ALSO SANITARY SEWER SERVICE DETAIL

STANDARD DETAIL

Metropolitan Sewerage District

of Buncombe County, North Carolina

TYPE II FORCE MAIN CONNECTION

DATE APPROVED: MARCH 2017

9.20 - 02

REV: Dec. 2020 LJ