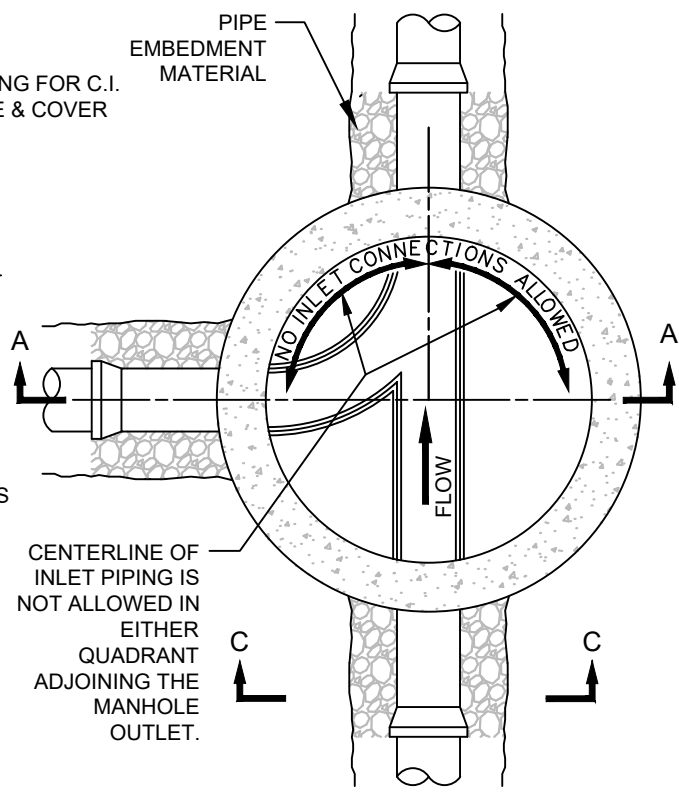
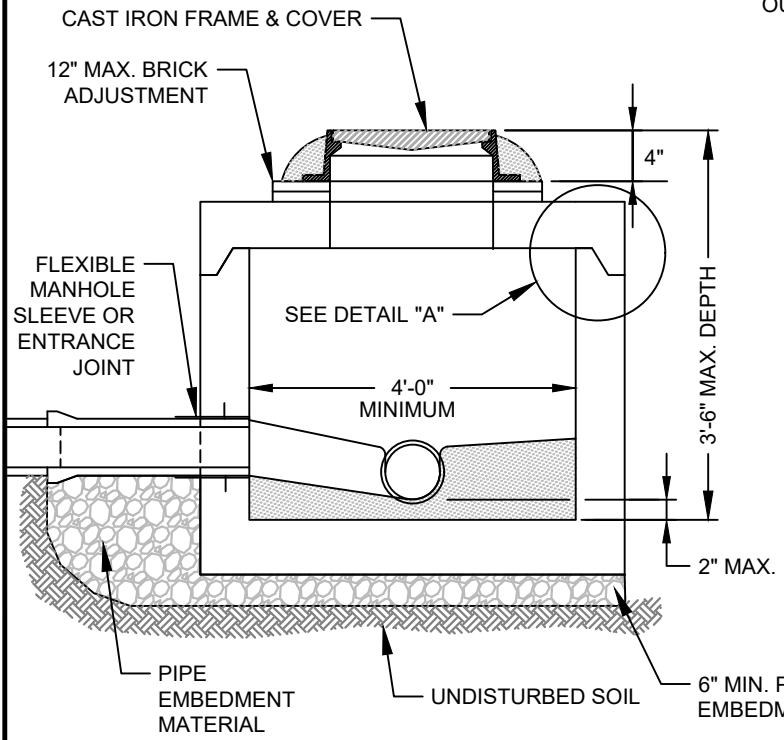


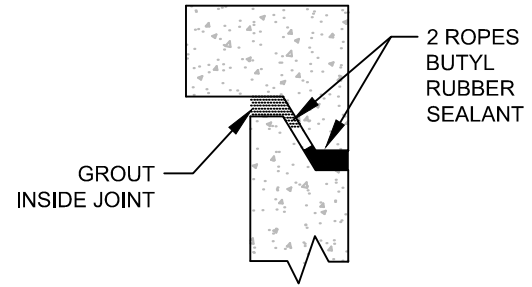
TOP SLAB REINFORCING STEEL



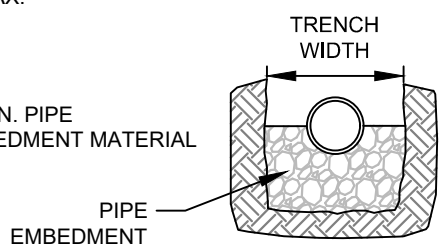
SECTIONAL PLAN
N.T.S.



SECTION A-A
N.T.S.



DETAIL "A"
N.T.S.



SECTION C-C
N.T.S.

NOTE:

FLAT TOP M.H. NOT ALLOWED WITHOUT PRIOR DISTRICT APPROVAL

STANDARD DETAIL	
Metropolitan Sewerage District of Buncombe County, North Carolina	
SHALLOW MANHOLE TYPE II	
DATE APPROVED: MARCH 2017	2.11 - 03