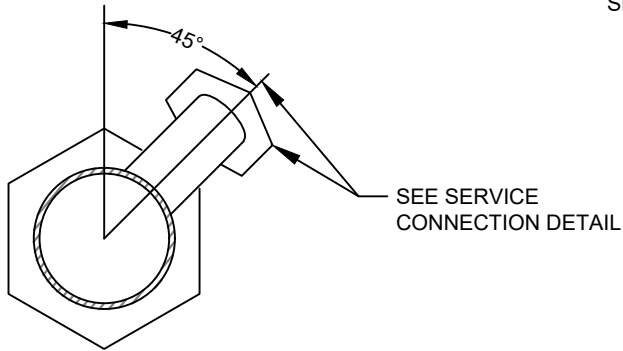
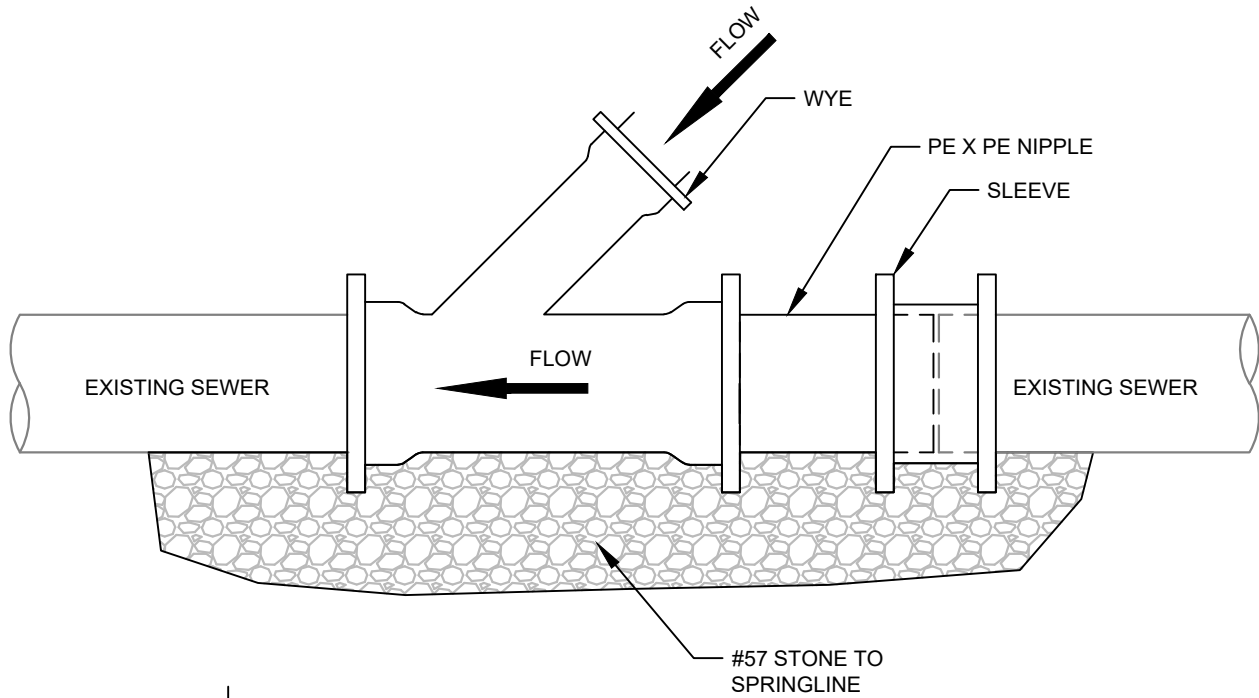


NOTE: FITTINGS SHALL BE THE SAME MATERIAL AS EXIST. SEWER



NOT FOR USE ON NEW CONSTRUCTION.

| | |
|--|-----------|
| STANDARD DETAIL | |
| Metropolitan Sewerage District of Buncombe County, North Carolina | |
| SERVICE CONNECTION TO EXISTING SEWER | |
| DATE APPROVED: MARCH 2017 | 2.07 - 01 |